

Encore



LOW
PRESSURE
BREWER

FITTING BREWER SERVICE KIT

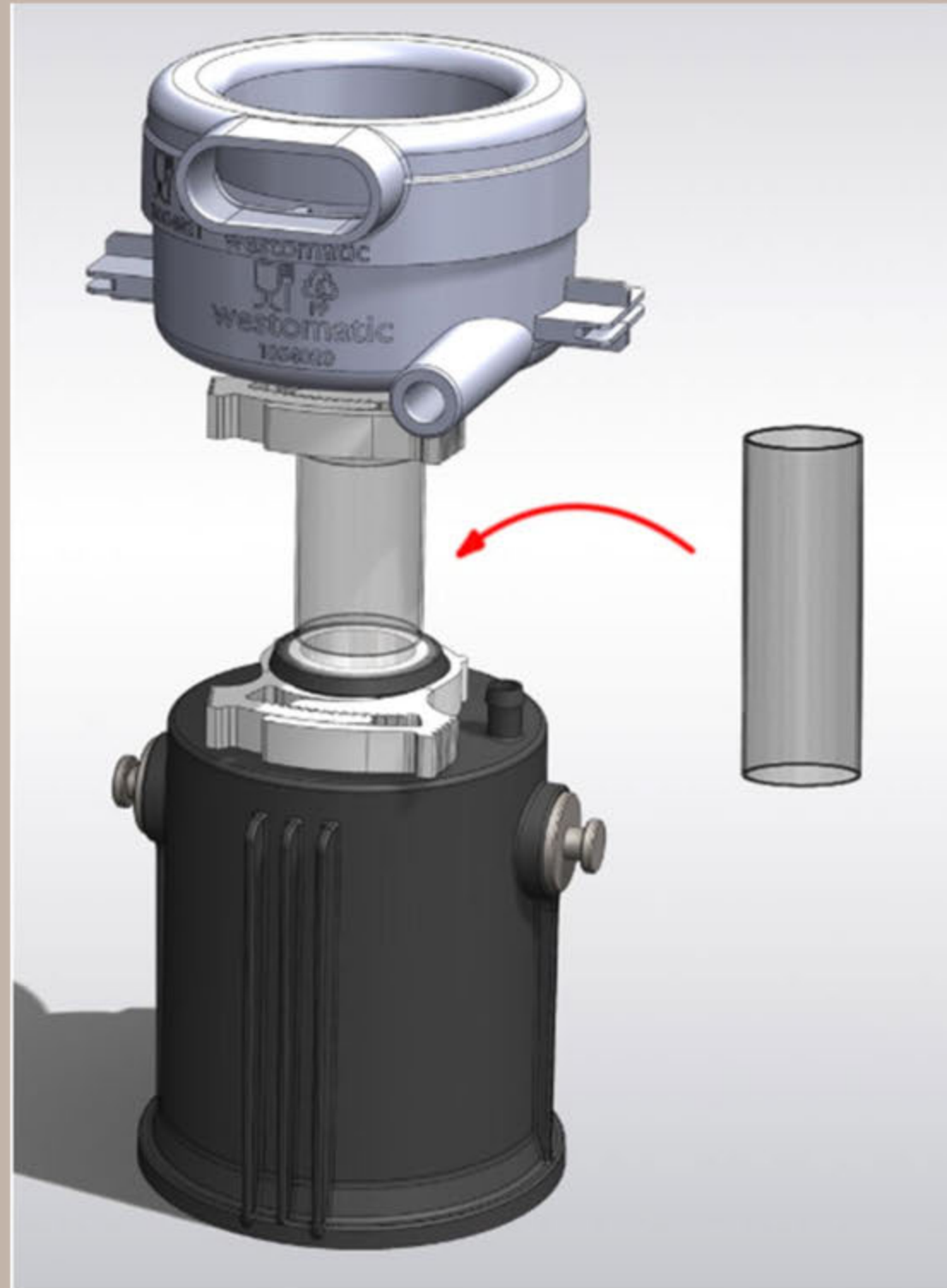


westomatic
make it happen

Fitting a Brewer Service Kit

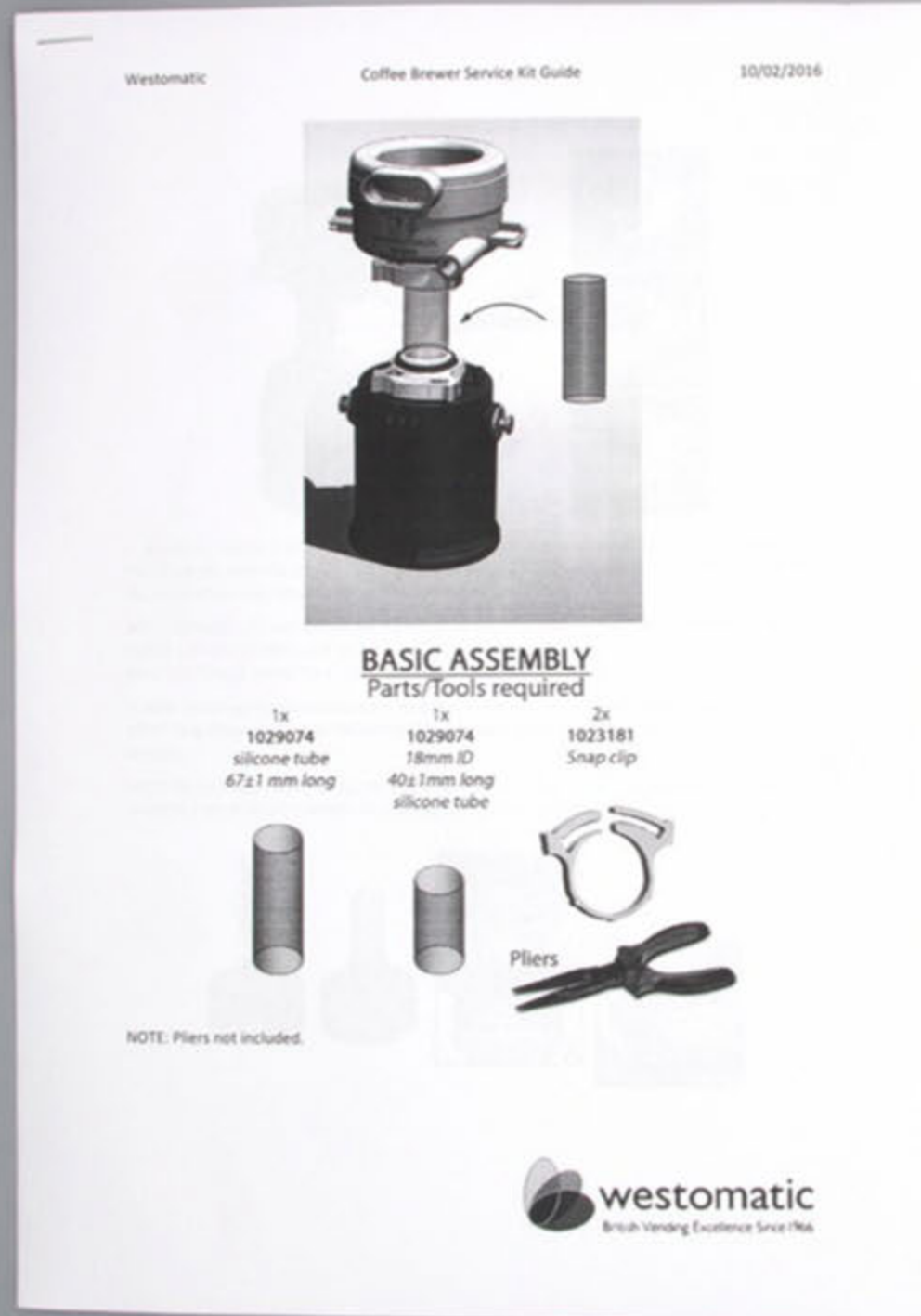


EQUIPMENT NEEDED:



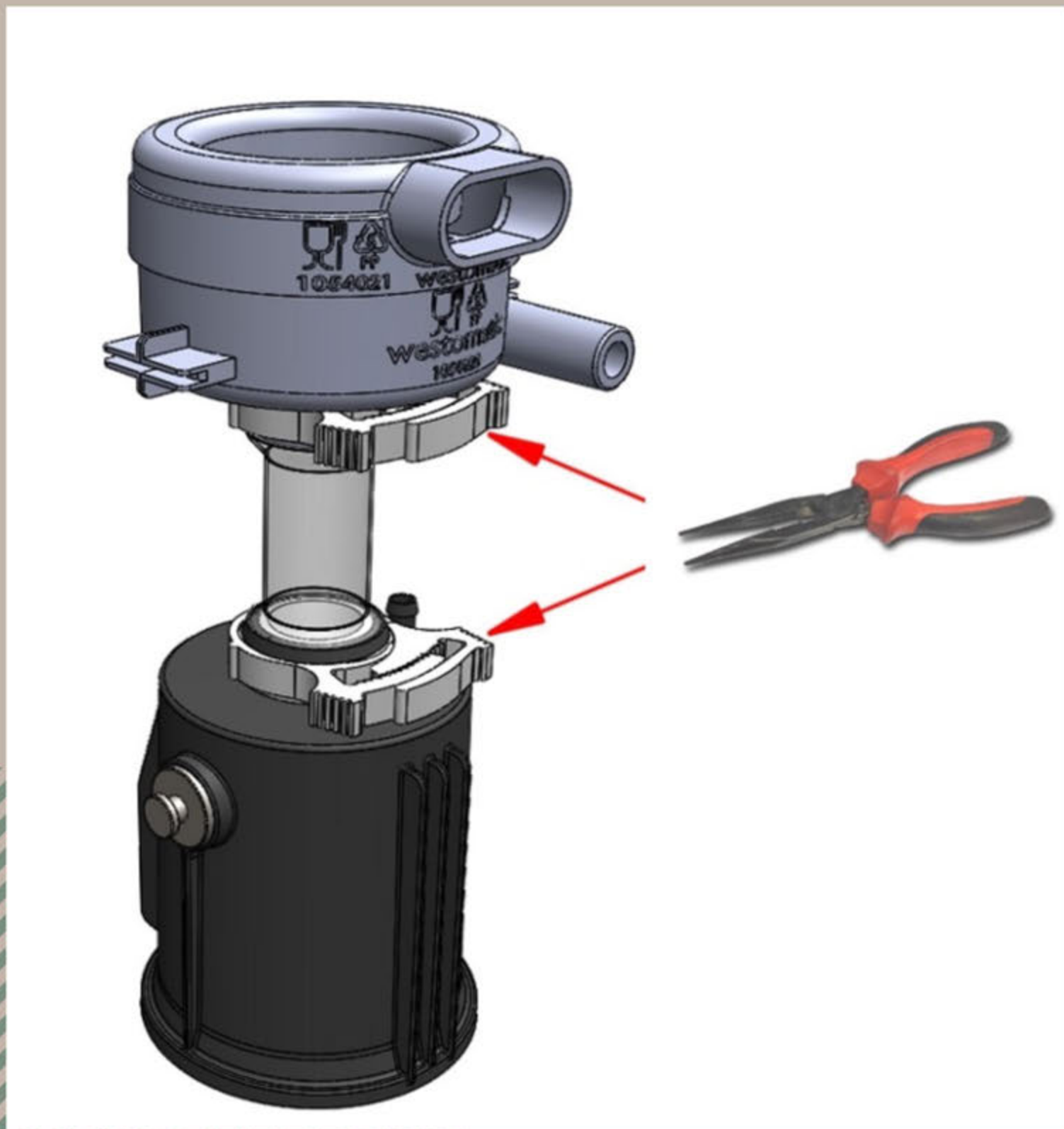
- **Long nose Pliers**





LPB Service Kit
PN: 2099506

1



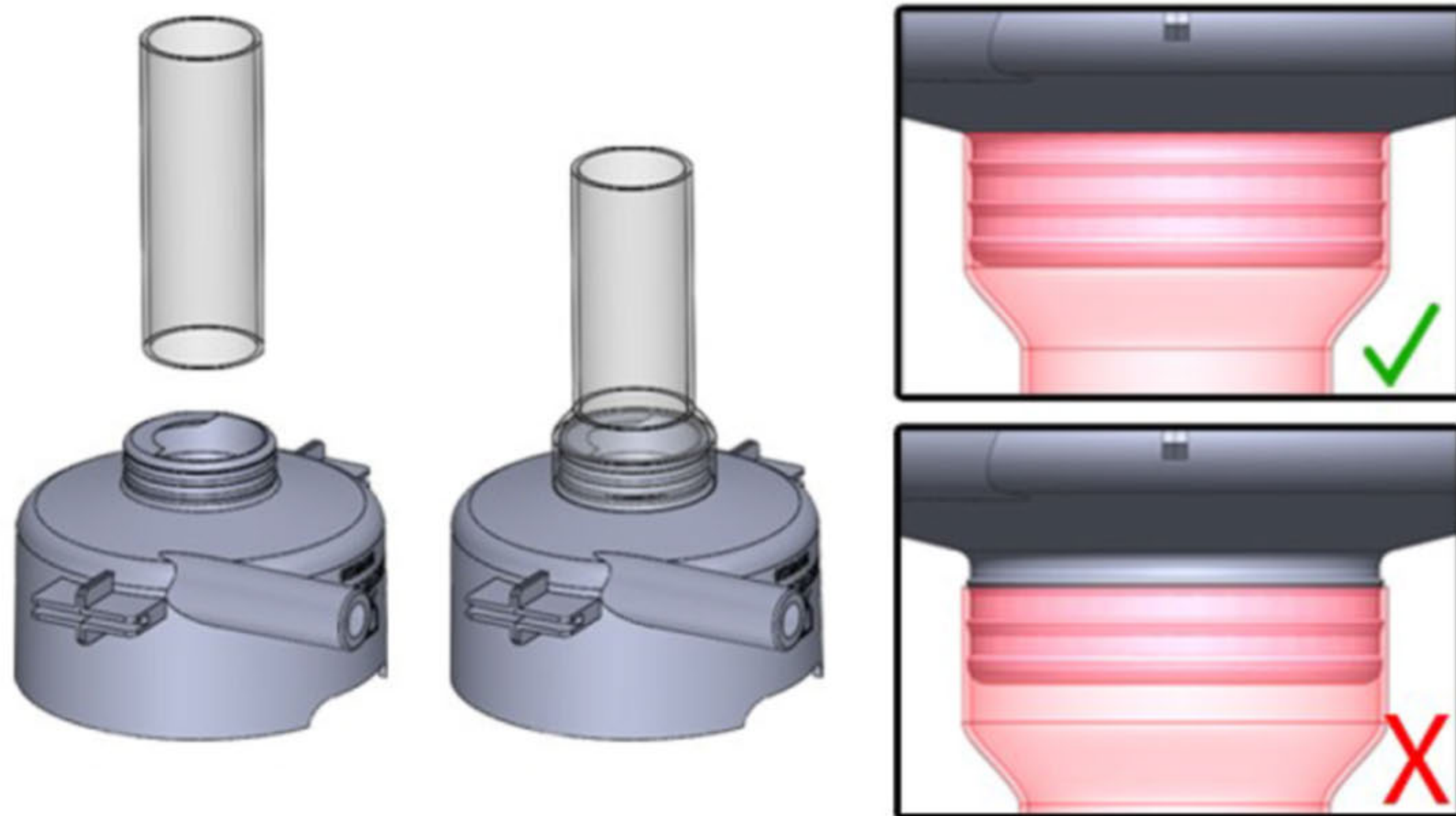
REMOVE SNAP CLIPS

- 1. To replace the silicone tube the snap clips must be removed**
- 2. Use the pliers to lift up one of the sides of the clip - shown in 3**
- 3. Repeat for top and bottom clips**
- 4. Discard of the silicone tube**

IMPORTANT: ONLY USE THIS METHOD TO REMOVE CLIPS - ENSURING PLASTIC DOES NOT SNAP & MALFUNCTION

2

FIT LONGER (67mm) SILICONE TUBE

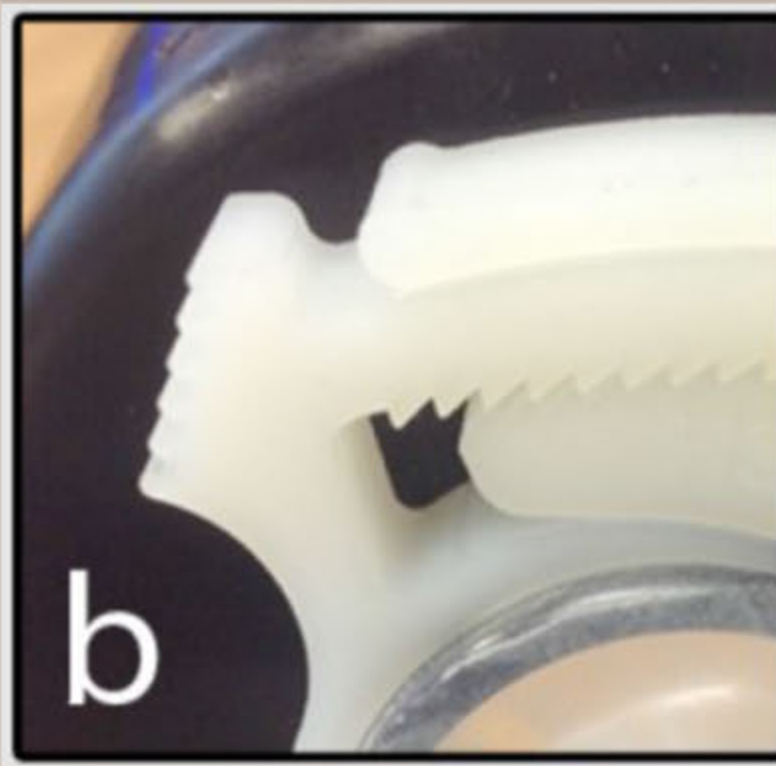
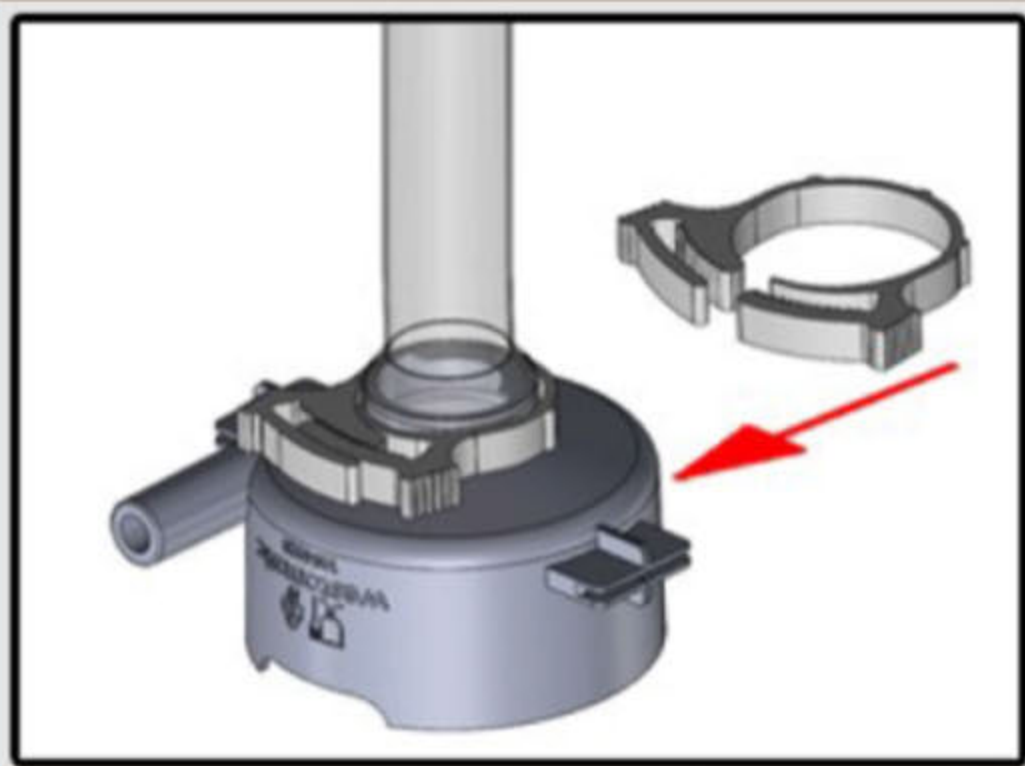


- 1. Fit tube over the mixing bowl neck**
- 2. Ensure tube sits up as far as possible**
- 3. Use a twisting motion to ensure a good fit**



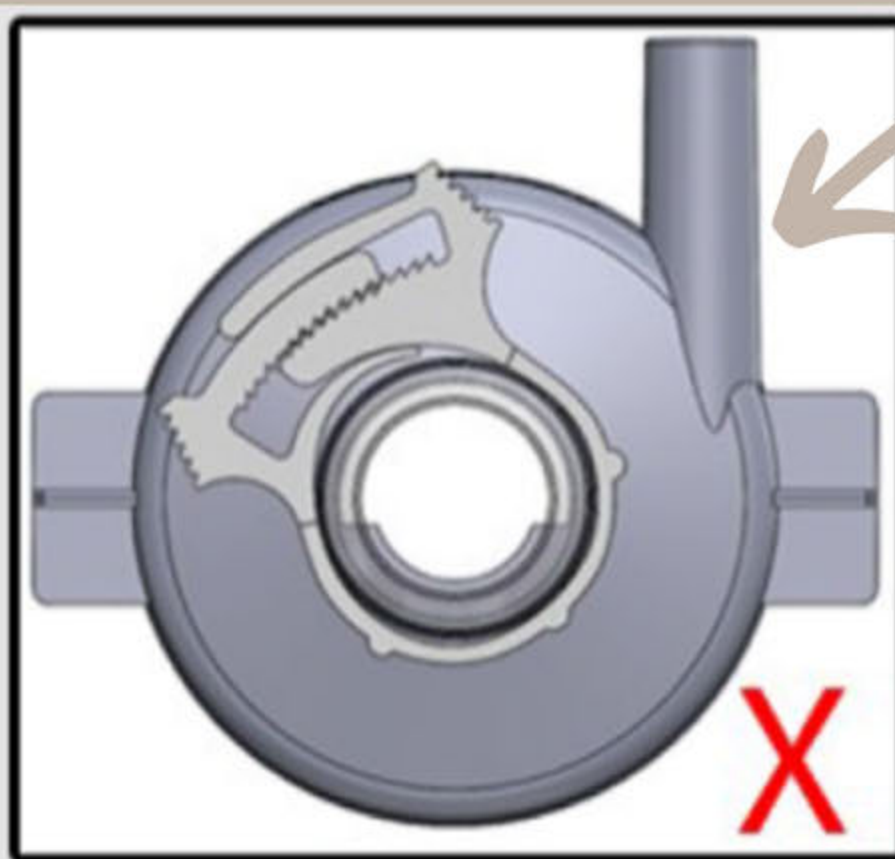
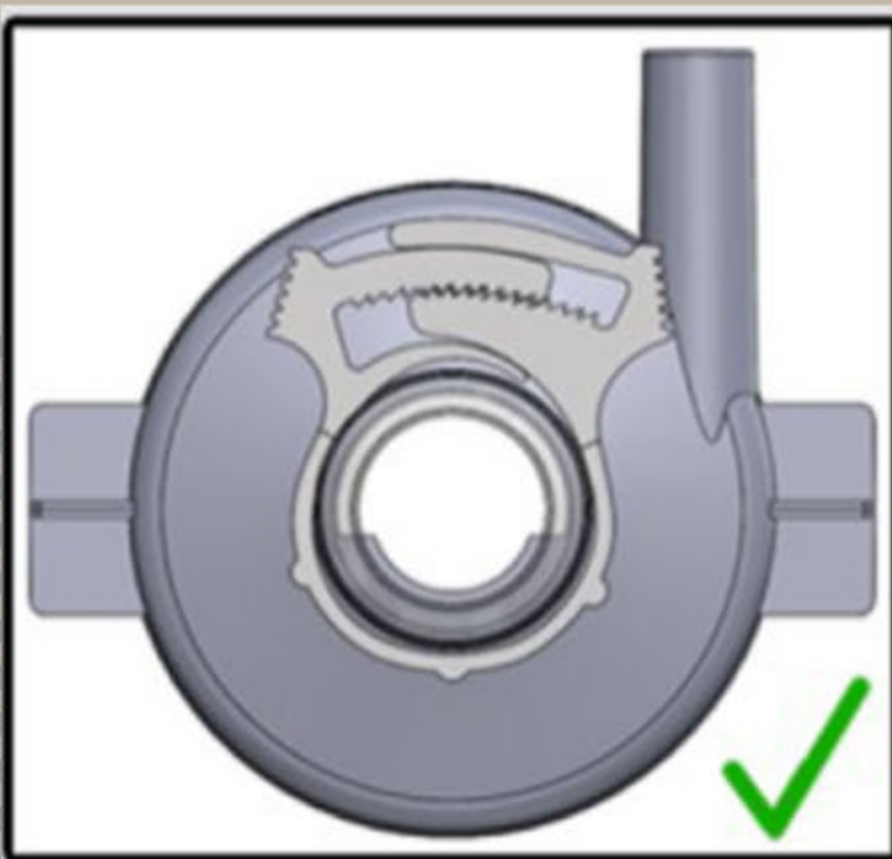
IMPORTANT: DO NOT USE ANYTHING SHARP THAT MAY PIERCE THE TUBE

3



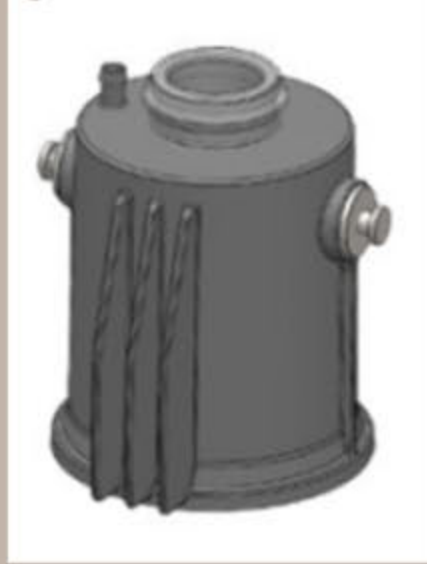
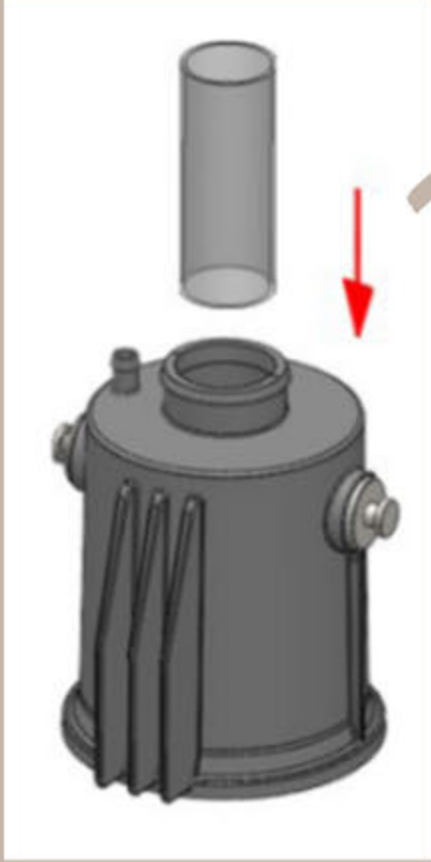
CLAMP SILICONE IN PLACE

1. Fit the snap clip around the silicone tube
2. Ensure the positioning is correct
3. Using pliers tighten the clip so there are 2 "teeth" left (b)



**IMPORTANT: IF THERE IS A SOLID PLASTIC TUBE INSERT
IN THE CYLINDER NECK - REMOVE IT & DISCARD**

4

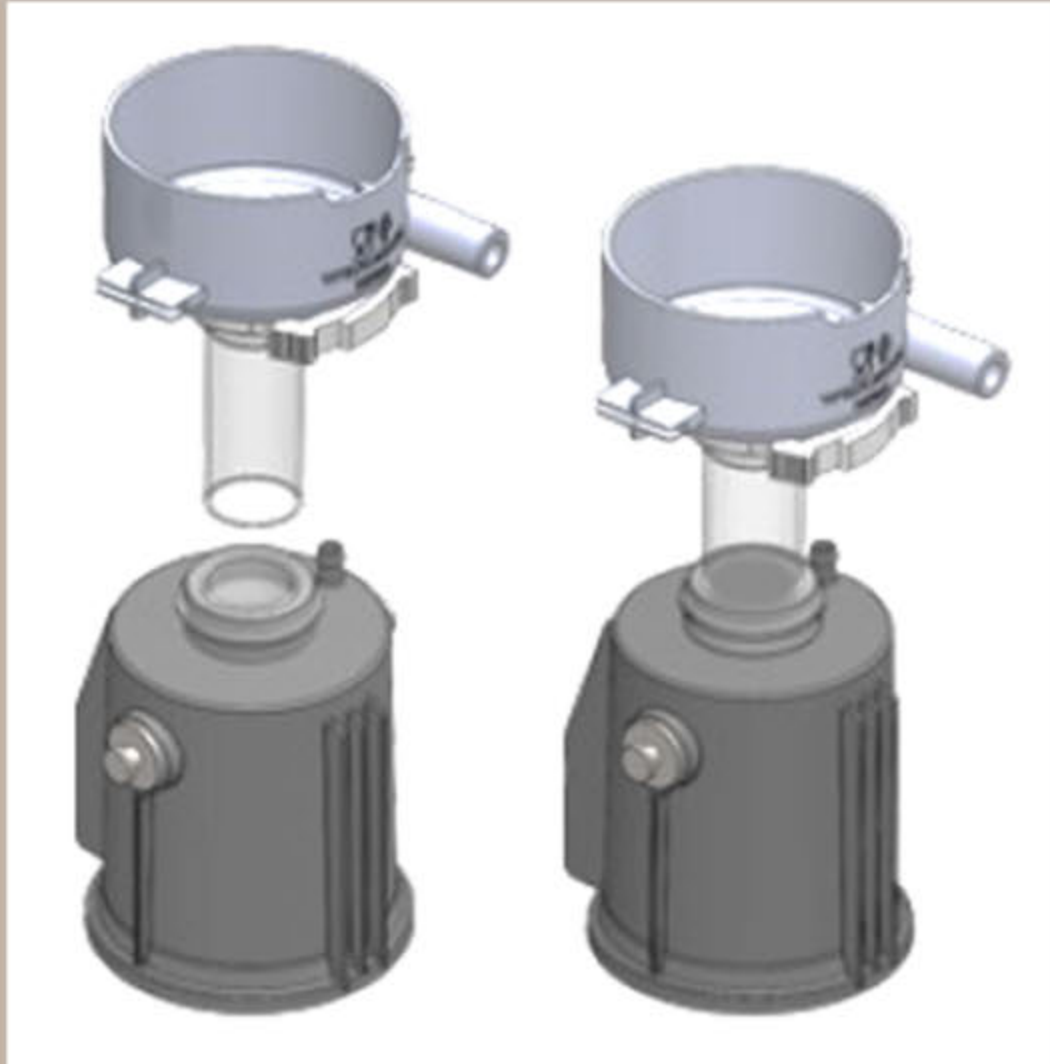


**FIT SHORTER (40mm)
SILICONE TUBE**

- 1. Fit the tube over the brewing cylinder neck**
- 2. Once fitted - push the tube into the brewing cylinder**



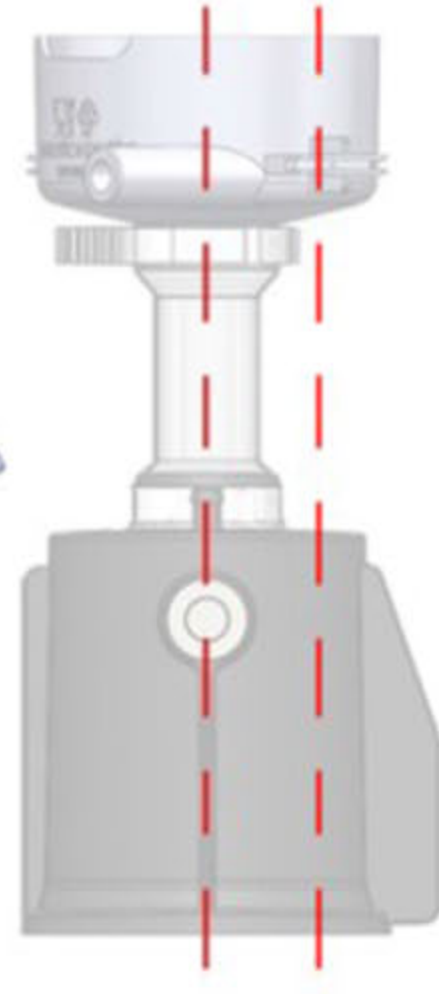
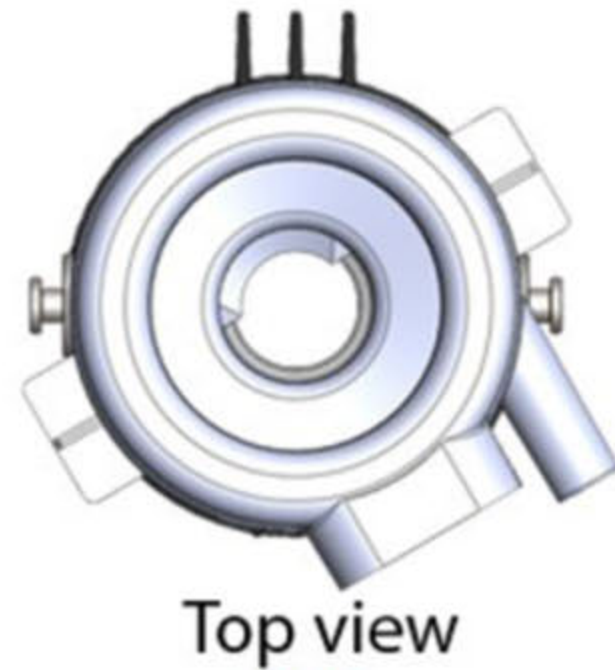
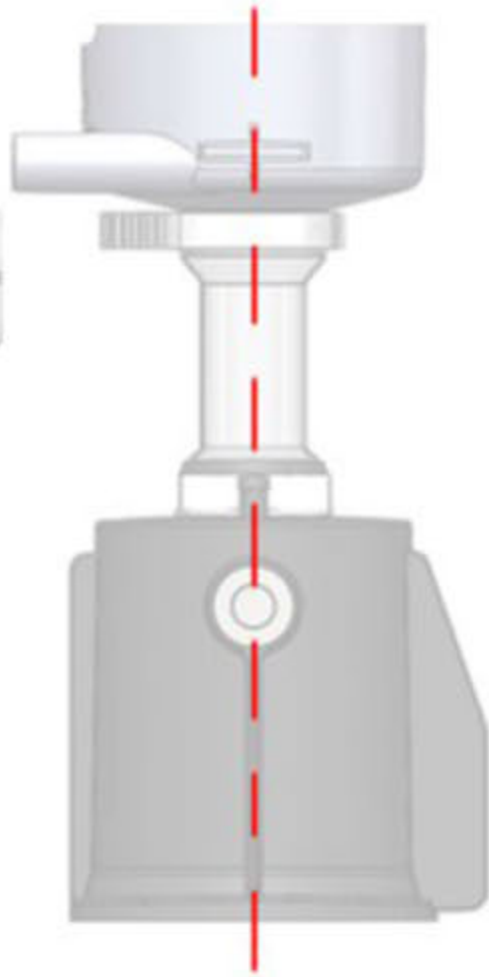
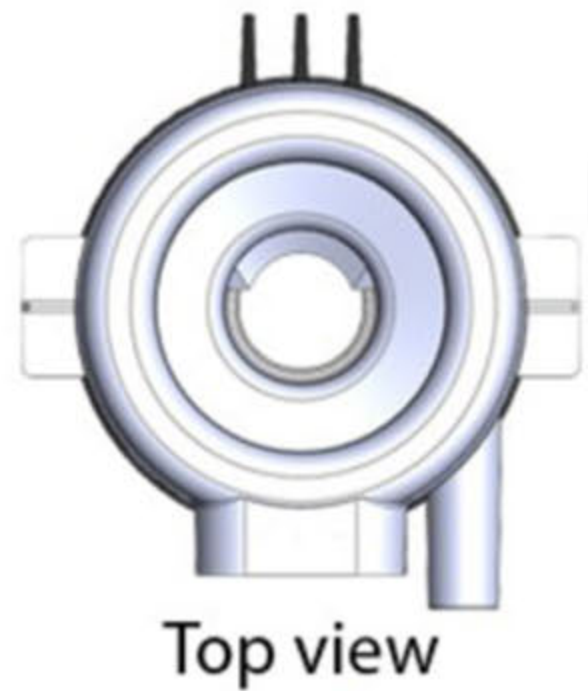
5



FIT LONGER TUBE ONTO THE BREWING CYLINDER

- 1. Fit tube over the brewing cylinder neck**
- 2. Ensure tube fits as far down as possible**
- 3. Use a twisting motion to ensure a good fit**

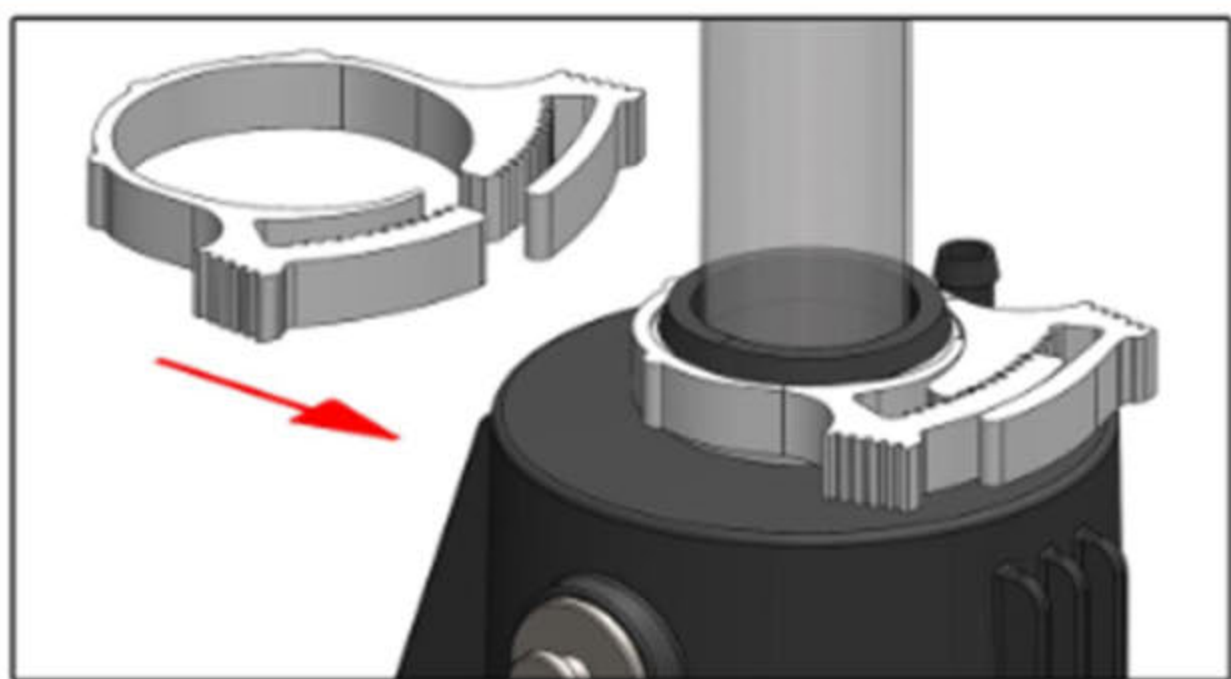




ALIGN MIXING BOWL CORRECTLY

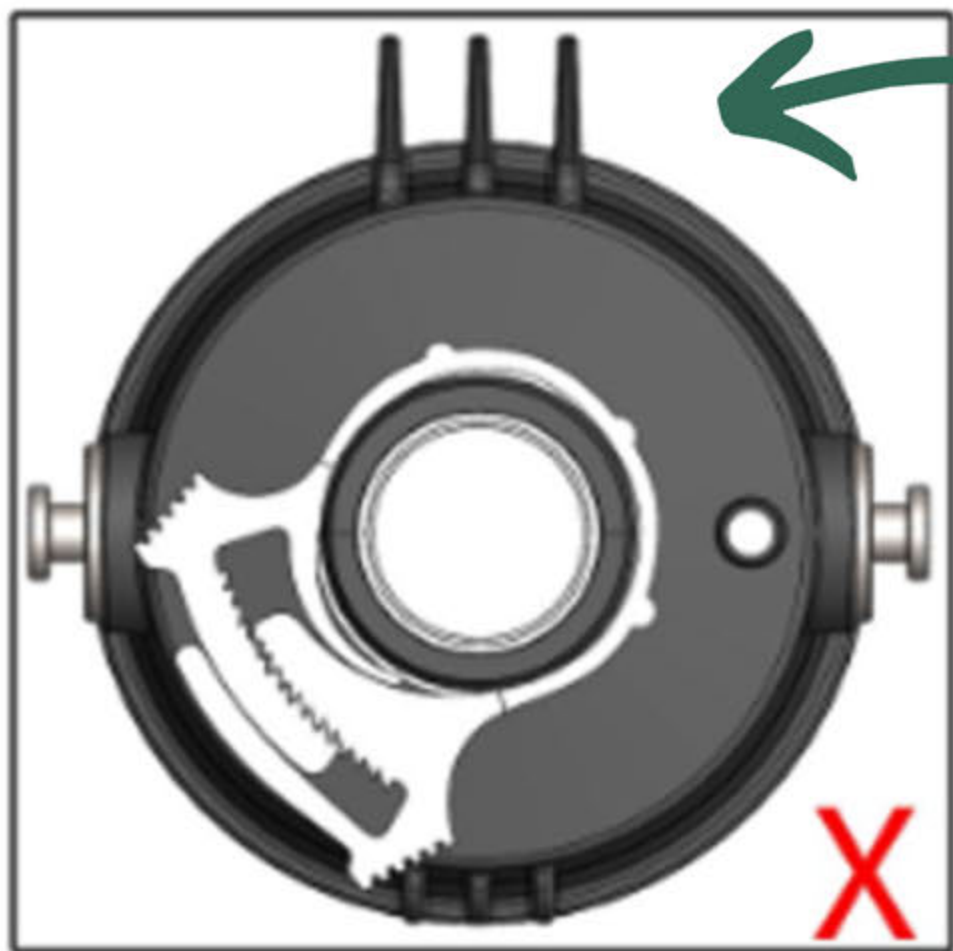
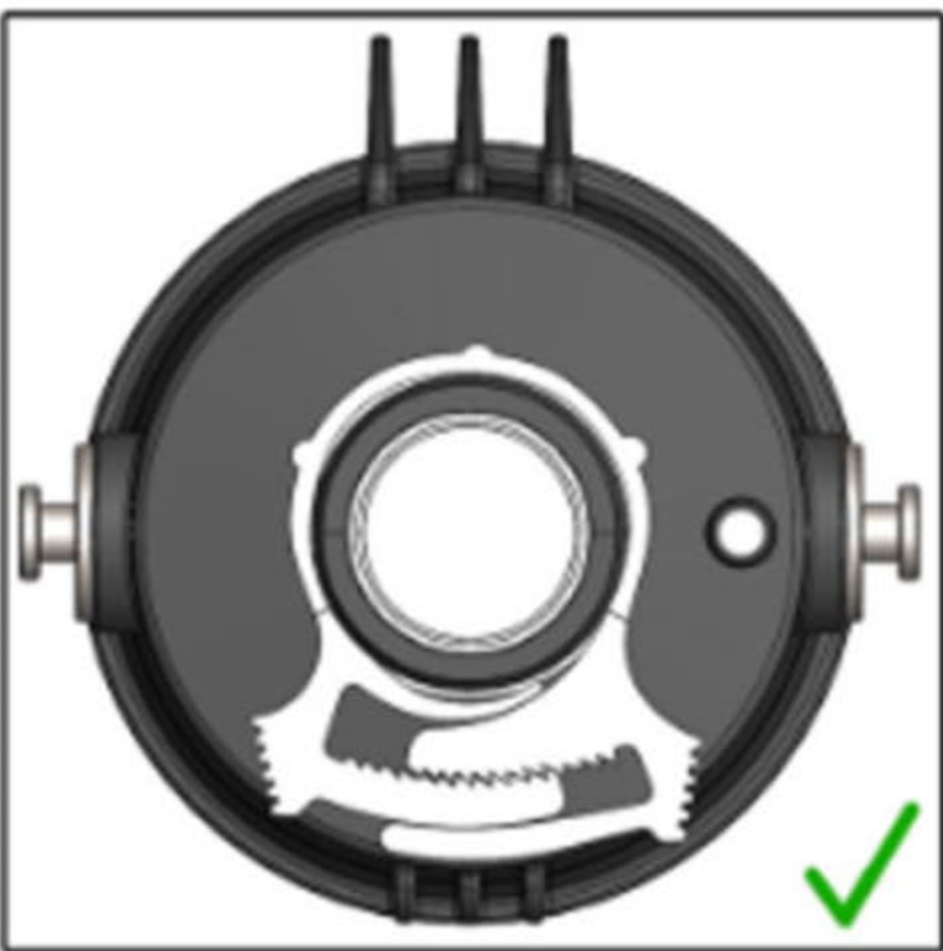
- 1. Ensure the 'sidewings' of the mixing bowl are aligned with the metal grips on brewing cylinder (this ensures there is no twisting which can affect the pinch arm seal)**

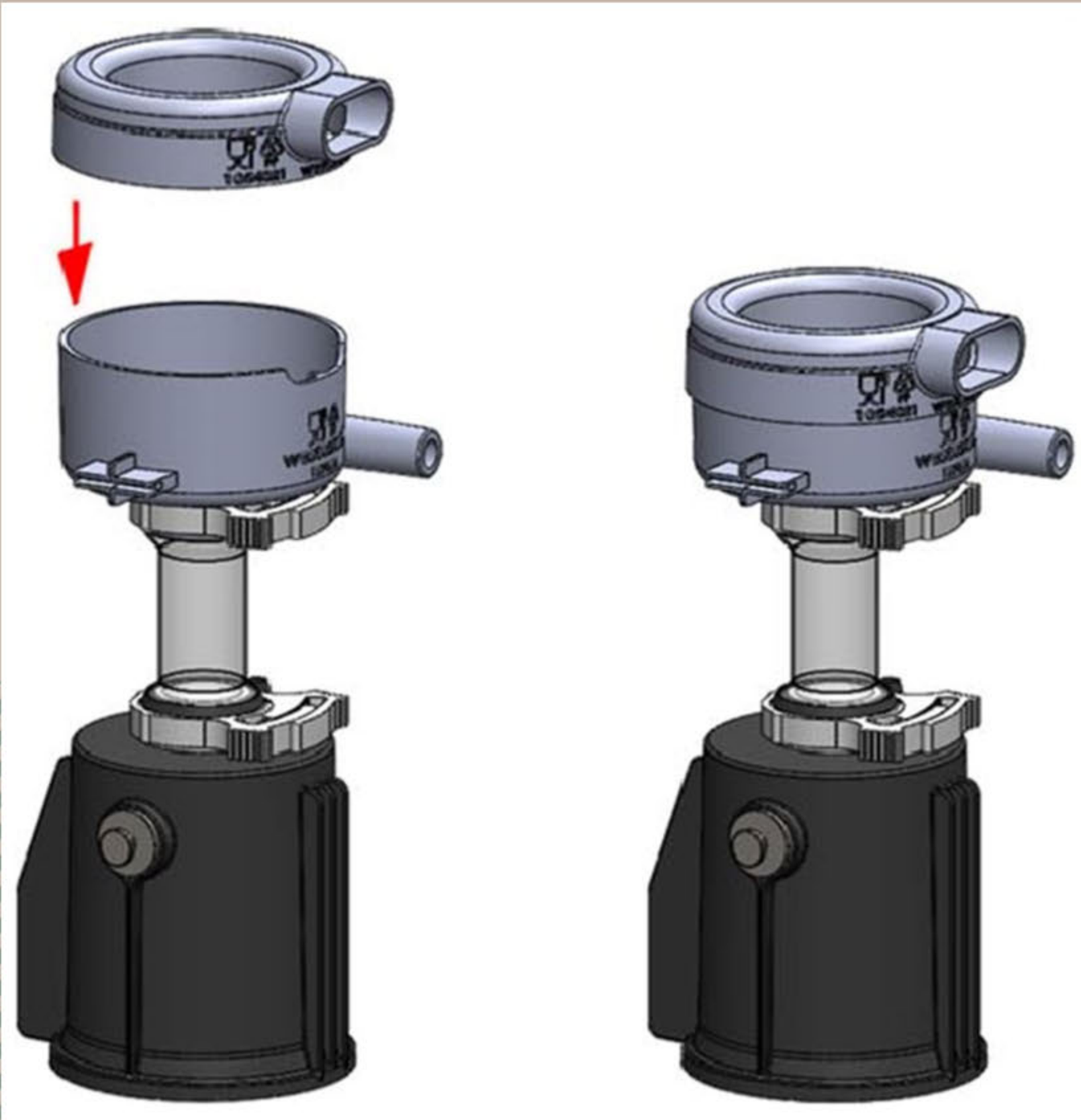
7



FIT SNAP CLIP TO BREWING CYLINDER

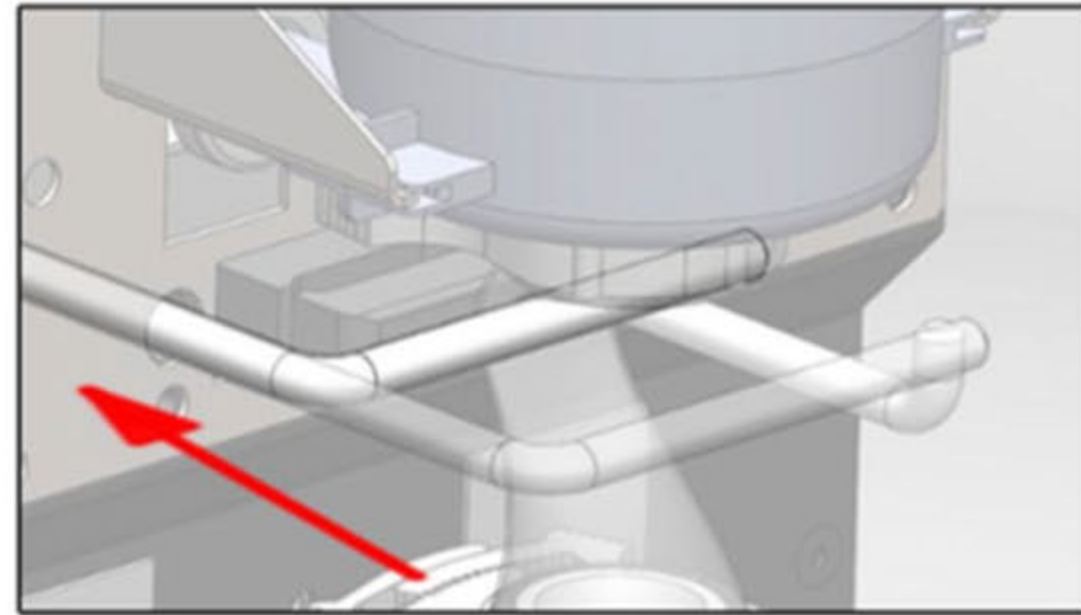
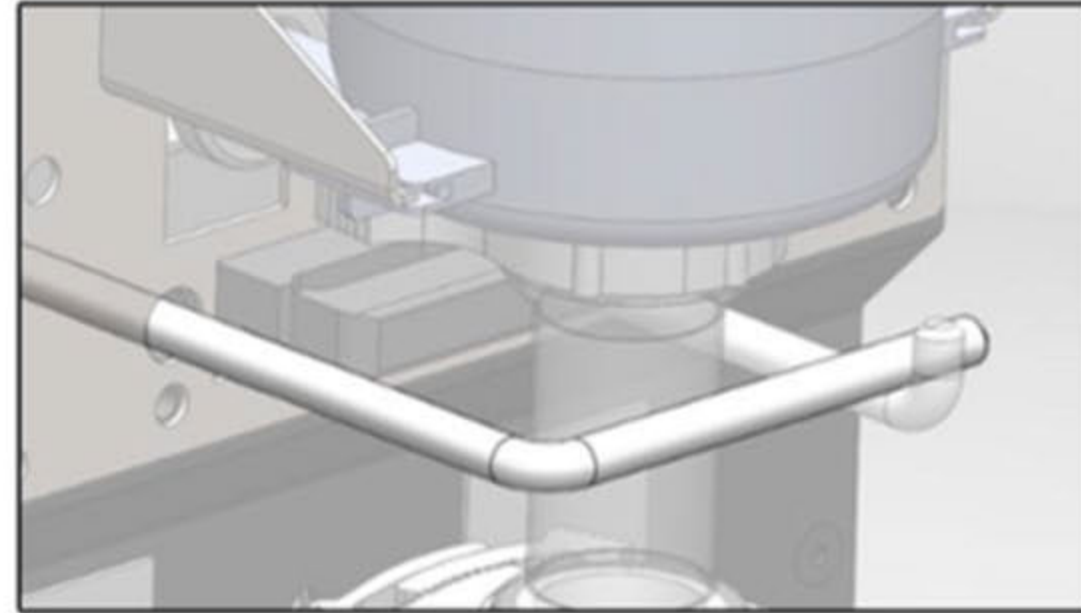
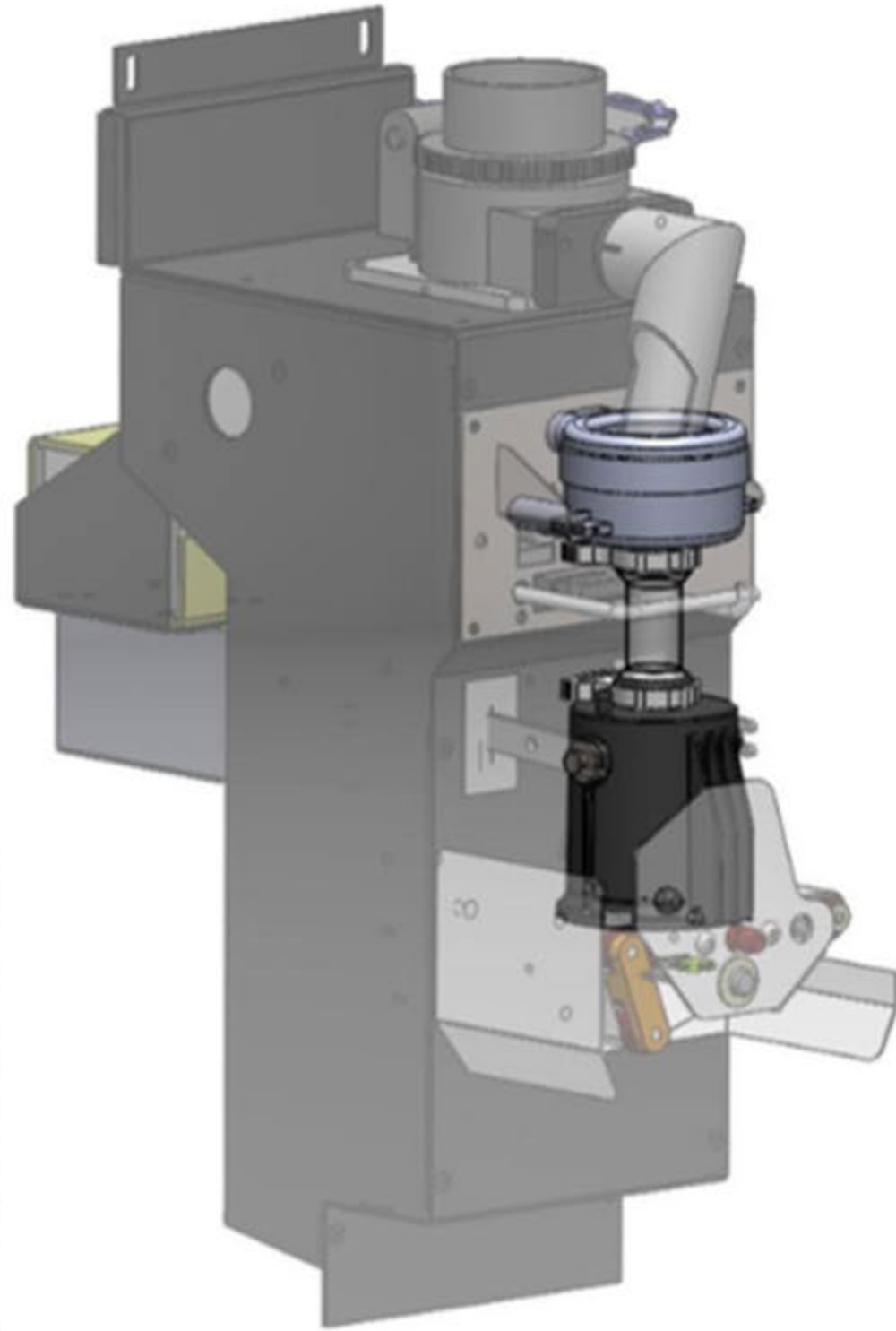
1. Once the silicone tube & mixing bowl are correctly aligned fit the second snap clip
2. Align correctly (as shown)
3. Using pliers tighten the clip so there are 3 "teeth" left (c)





REFIT THE STEAM HOOD TO MIXING BOWL

- 1. Replace the steam hood - aligning as shown in the image.**



FIT COFFEE BREWER ASSEMBLY

- 1. Fit mixing bowl into the brewer – push steam hood into place**
- 2. Push pinch arm forward and backwards a couple of times (this allows silicone to stretch slightly and ensure a good seal)**

Encore

CONTACT



Westomatic Vending
Services Ltd,
Units 7 - 8 Forde Court,
Block 4 Forde Road,
Newton Abbot,
TQ12 4BT



westomatic
make it happen



+44 (0)1626 323100



sales@westomatic.com



www.westomatic.com